



Latitude Rugged DisplayPort Desk Dock


User's Guide



Notes, Cautions, and Warnings

 **NOTE:** A NOTE indicates important information that helps you make better use of your computer.

 **CAUTION:** A CAUTION indicates either potential damage to hardware or loss of data and tells you how to avoid the problem.

 **WARNING:** A WARNING indicates a potential for property damage, personal injury, or death.

Regulatory model	K13A
Regulatory type	K13A002

© 2015–2016 Dell Inc. All rights reserved.

Reproduction in any manner whatsoever without the written permission of Dell Inc. is strictly forbidden.

Trademarks used in this text: Dell and the DELL logo are trademarks of Dell Inc. Other trademarks and trade names may be used in this document to refer to either the entities claiming the marks and names of their products. Dell Inc. disclaims any proprietary interest in trademarks and trade names other than its own.

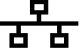








2016 - 03 Rev. A02

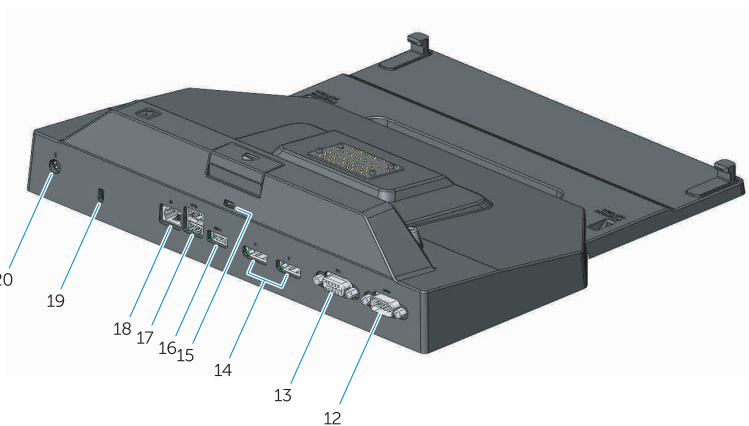
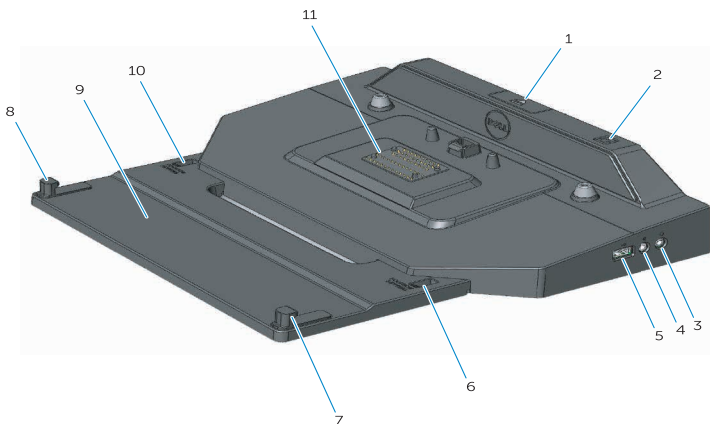
Contents

1. About Your Latitude Rugged DisplayPort Desk Dock.....	5
2. Adjusting the Latitude Rugged DisplayPort Desk Dock.....	7
Adjusting your Latitude Rugged DisplayPort Desk Dock for your laptop.....	7
3. Using the Latitude Rugged DisplayPort Desk Dock	9
Setting up your Latitude Rugged DisplayPort Desk Dock	9
Docking Your Laptop	10
Securing the Latitude Rugged DisplayPort Desk Dock.....	12
Latitude Rugged DisplayPort Desk Dock Laptop Power and Docking Status	13
Using the Latitude Rugged DisplayPort Desk Dock With Three Monitors.....	14
Undocking Your Laptop.....	15
4. Specifications.....	16
5. Finding Information.....	17
6. Glossary.....	18

About your Latitude Rugged DisplayPort Desk Dock


The Latitude Rugged DisplayPort Desk Dock docking device supports the Dell Rugged Family of laptop computers, but is not compatible with any previous series laptop computers. The Latitude Rugged DisplayPort Desk Dock enables you to connect your laptop computer to the following external devices:

Connector	Description
	RJ-45 NETWORK CONNECTOR - Connects a network interface cable.
	AUDIO CONNECTORS (2) - Connects audio headset or speakers and a microphone.
	USB 2.0 CONNECTOR - Connect a USB 2.0 compliant device, such as a USB mouse. The USB 2.0 connector is located on the right side of the Rugged Desk Dock.
	USB 3.0 CONNECTORS (3) (2 USB 3.0 connectors, 1 USB 3.0 with PowerShare) - Connect up to three USB 3.0 compliant devices. All three USB 3.0 connectors are located on the back side of the Rugged Desk Dock.
	
	AC ADAPTER CONNECTOR - Connects the AC adapter.
	VGA CONNECTOR - Connects an external monitor.
	SERIAL CONNECTOR - Connects serial devices, such as a mouse or handheld device.
	DISPLAYPORT CONNECTORS (2) - Connects an external monitor.



- | | |
|---------------------------------------|--|
| 1. Eject button | 12. Serial connector |
| 2. Power button | 13. VGA connector |
| 3. Audio connector | 14. DisplayPort connectors (2) |
| 4. Microphone connector | 15. Security cable slot |
| 5. USB 2.0 connector | 16. USB 3.0 connector with PowerShare |
| 6. Position setting indicator | 17. USB 3.0 connectors (2) |
| 7. Front hook | 18. Network connector |
| 8. Front hook | 19. Security cable slot |
| 9. Front hook tray | 20. AC adapter connector |
| 10. Position setting indicator | |
| 11. Docking connector | |

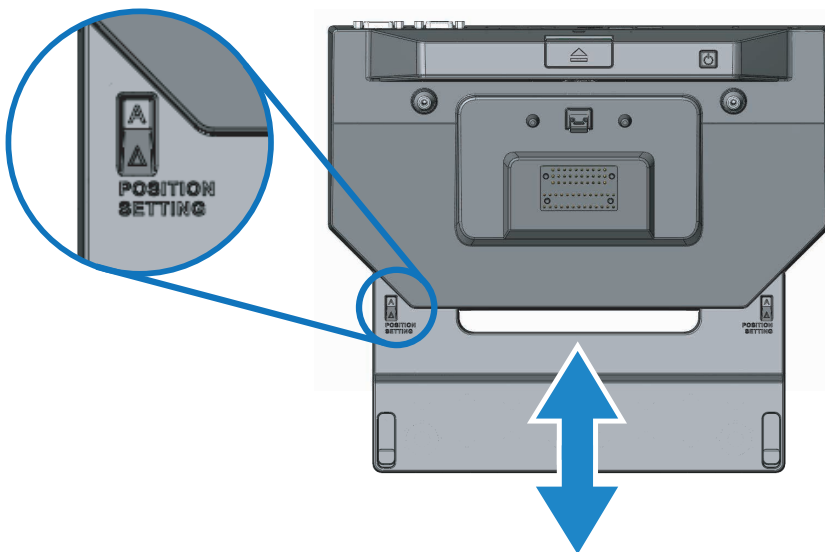
Adjusting the Latitude Rugged DisplayPort Desk Dock

 **CAUTION:** If the Latitude Rugged DisplayPort Desk Dock is not adjusted to the correct position for your specific laptop, damage to laptop or Latitude Rugged DisplayPort Desk Dock may occur.

Adjusting your Latitude Rugged DisplayPort Desk Dock for your laptop

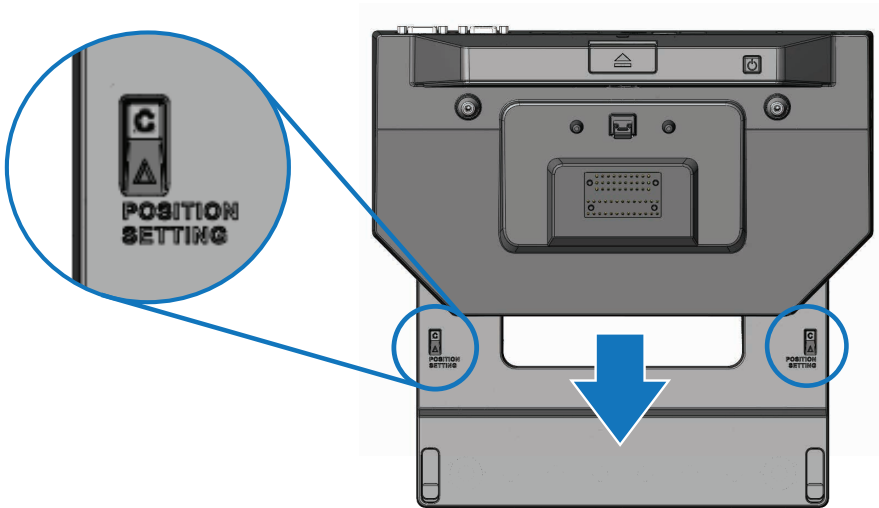
1 Determine the correct adjustment letter (A, B, C, D, E) for your specific laptop:

- A: Latitude 12 Rugged Extreme
- B: Future Model
- C: Latitude 14 Rugged
- D: Future Model
- E: Latitude 14 Rugged Extreme




2 Hold Latitude Rugged DisplayPort Desk Dock against desktop and slide front hook tray out by pulling from center opening until the correct letter designation is visible in both position setting indicator windows.


NOTE: You must exert enough force to overcome the resistance between position settings. If you adjust past your desired position setting, simply slide the Front Hook Tray in the opposite direction.



Using the Latitude Rugged DisplayPort Desk Dock

 **WARNING:** Before you begin any of the procedures in this section, follow the safety instructions that shipped with your computer.

Setting up your Latitude Rugged DisplayPort Desk Dock

 **NOTE:** If the cable connector of the external device has thumbscrews, tighten the screws to ensure a proper connection.

- 1 Connect the peripheral device's cable to the appropriate connector on the Latitude Rugged DisplayPort Desk Dock.
- 2 Connect any external devices, like external displays, to electrical outlets.

If you attach an external monitor to the Latitude Rugged DisplayPort Desk Dock, you may need to press <Fn><F8> one or more times to switch the screen image to the desired location. If the laptop cover is closed, press <Scroll Lck><F8> on an attached external keyboard to switch the image.

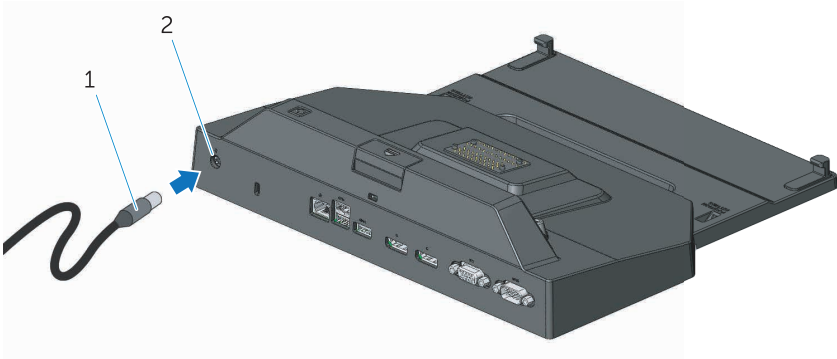
Before you dock for the first time

Before connecting your laptop to the Latitude Rugged DisplayPort Desk Dock, please ensure the following:

- 1 Ensure that the Rugged Desk Dock has been adjusted for your specific laptop (see *"Adjusting the Latitude Rugged DisplayPort Desk Dock" on page 7*).
- 2 Ensure that the laptop is not connected to the Latitude Rugged DisplayPort Desk Dock (docked).
- 3 Turn on the laptop.
- 4 Verify that your laptop operating system has completed the setup process.
- 5 Verify that your laptop battery is installed before docking your laptop.

Docking your laptop

CAUTION: Always use the Dell AC adapter that came with the Latitude Rugged DisplayPort Desk Dock. If you use any other commercially available AC adapter, you may damage the Latitude Rugged DisplayPort Desk Dock or the laptop.



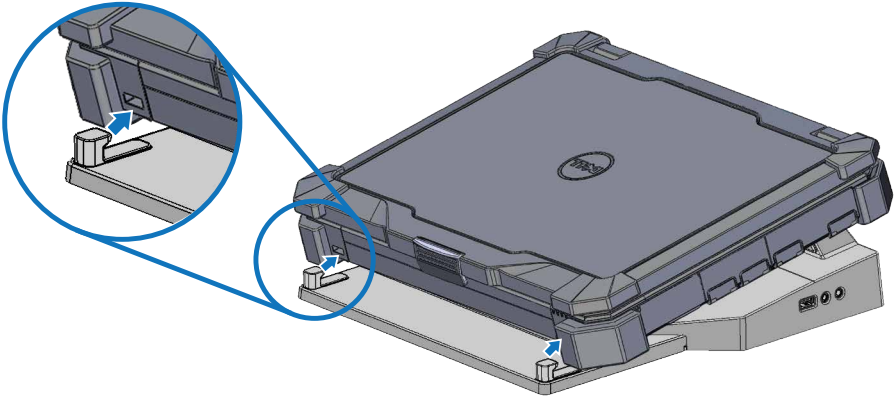
1. AC adapter cable

2. AC adapter connector

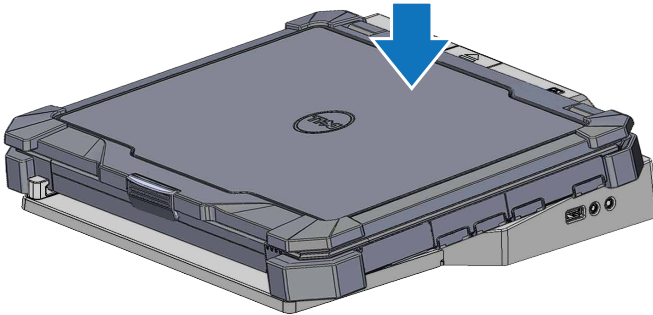
- 1 Follow the instructions in *"Before you dock for the first time"* on page 9.
- 2 Place the Latitude Rugged DisplayPort Desk Dock with enough flat space in front of it to completely support the laptop when docked to the Latitude Rugged DisplayPort Desk Dock.

NOTE: You can dock your laptop regardless of whether it is turned on or off.

- 3 With the rear of the laptop elevated, load the front of the laptop into the Latitude Rugged DisplayPort Desk Dock by aligning the front hooks with the appropriate recesses in the laptop case.



- 4 Lower the rear of the laptop and apply light vertical pressure to the back center of the laptop until it clicks into place on the docking connector.

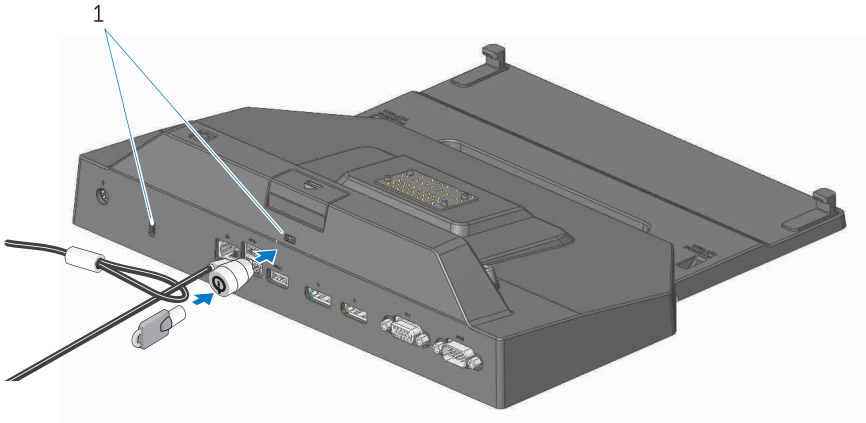


- 5 If the laptop is not already turned on, turn it on by pressing the power button on either the laptop or the Rugged Desk Dock.
- 6 If the laptop does not turn on or awaken successfully, undock and reset the laptop.

Securing the Latitude Rugged DisplayPort Desk Dock

Anti-theft devices usually include a segment of metal-stranded cable with an attached locking device and associated key (available at dell.com). For instructions on how to install this kind of anti-theft device, see the documentation that came with the device.

The Latitude Rugged DisplayPort Desk Dock has the following security feature:



1. security cable slot

SECURITY CABLE SLOT - Attach an anti-theft device to the Latitude Rugged DisplayPort Desk Dock to secure a laptop to the Rugged Desk Dock.

The latitude rugged tablet desk dock comes equipped with two security cable slots, these serve the following functions:

Slot below Eject button: Prevents laptop removal but requires the security cable to be removed each time the laptop is docked/undocked.

Slot adjacent to Power button: Secures the desk dock and other peripheral equipment in the office environment but does not prevent removal of the laptop.

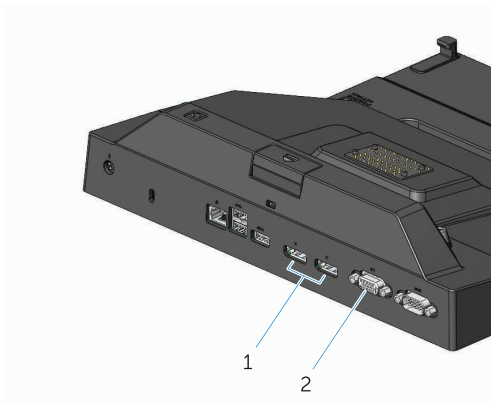
Latitude Rugged DisplayPort Desk Dock laptop power and docking status

The Rugged Desk Dock power button is used to turn a docked laptop on or off. The power button light indicates the power status of the Latitude Rugged DisplayPort Desk Dock or a docked laptop. The docking light on the eject button indicates the AC power and docking status of the Latitude Rugged DisplayPort Desk Dock and the laptop.

The following table shows all of the possible conditions of docking, power, laptop states and how these conditions are indicated by the Latitude Rugged DisplayPort Desk Dock power button and docking lights:

Power and Docking Status	Laptop Status	Power Button Light	Docking Light
Unit undocked or no AC adapter connected	Hibernate or Off	Off	Off
Unit docked and AC adapter connected	Hibernate or Off	Off	On
Unit docked using AC adapter or battery power	Standby	Breathing	On
Unit docked using AC adapter or battery power	On	On	On


Using the Latitude Rugged DisplayPort Desk Dock with three monitors



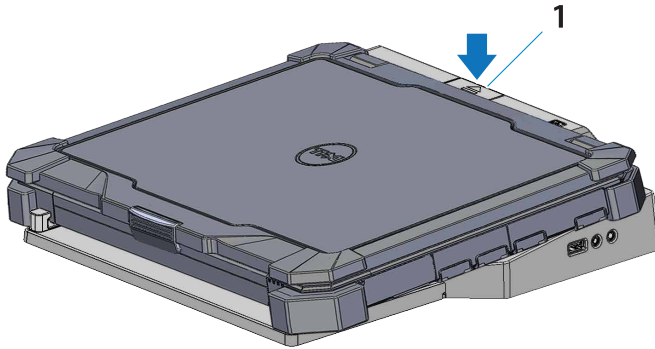
1. DisplayPort connector (2)

2. VGA connector

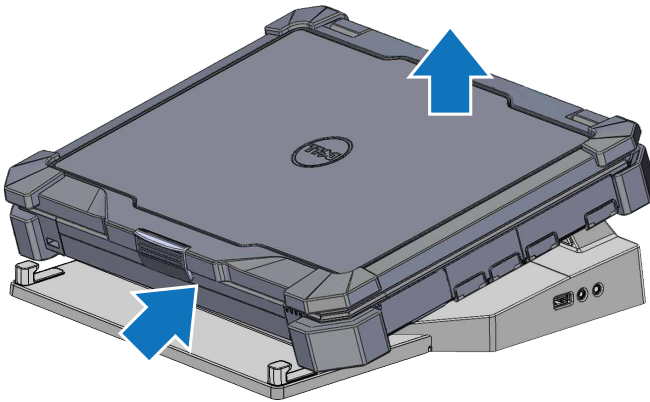
You can use your Latitude Rugged DisplayPort Desk Dock for triple monitor display. To enable this feature, connect up to two DisplayPort enabled monitors and one VGA enabled monitor to your Latitude Rugged DisplayPort Desk Dock. Any combination of 1, 2, or 3 displays can be used with any combination of visual display connectors available on Latitude Rugged DisplayPort Desk Dock.

 **NOTE:** The latitude tablet rugged desk dock can simultaneously support up to 3 external displays (laptop lid closed), and up to 2 external displays (laptop lid open).

Undocking your laptop



1. eject button



Press the eject button to undock the laptop from the Latitude Rugged DisplayPort Desk Dock, then lift the rear of the laptop away from the Latitude Rugged DisplayPort Desk Dock and extract from the front hook.

Specifications

Physical	
Height	67.2 mm (2.64 inches)
Depth	277.5 mm (10.93 inches)
Width	304.8 mm (12.00 inches)

System level operational specifications	
Serial (DTE)	one 9-pin connectors, 16550-compatible, 16-byte buffer
USB	four USB connectors: one USB 2.0-compliant connector, three USB 3.0-compliant connectors
Audio	headset/speakers and one microphone
Network	one RJ-45 port; 10/100/1000 Mbps Ethernet
Dell Rugged docking connector	one custom connector (Dell Rugged Family only)
Video	two DisplayPort connectors and one VGA connector

AC adapter power		
Input voltage	Wattage	Amperage
100-240 VAC, 50-60 Hz	130W	6.67A

Feature	Specification
Temperature range:	
Operating	0 °C to 40 °C (32 °F to 104 °F)
Storage	-40 °C to 65 °C (-40 °F to 149 °F)
Relative humidity (maximum):	
Operating	10% to 90% (non-condensing)
Storage	5% to 95% (non-condensing)
Altitude:	
Storage	0 m to 10668 m (0 ft to 35,000 ft)

Finding information

Documents

Safety, Regulatory, Warranty, and Support Documentation

This type of information may have shipped with your computer. For additional regulatory information, see the Regulatory Compliance homepage on www.dell.com at the following location:

www.dell.com/regulatory_compliance.

Contents

- Warranty information
- Safety instructions
- Regulatory information
- Ergonomics information
- End User License Agreement

Glossary

A

AC — alternating current — The form of electricity that powers your computer when you plug the AC adapter power cable in to an electrical outlet.

D

DisplayPort — An interface standard of the Video Electronics Standards Association (VESA) used for digital displays.

docking device — Provides port replication, cable management, and security features to adapt your laptop to a desktop workspace.

I

I/O — input/output — An operation or device that enters and extracts data from your computer. Keyboards and printers are I/O devices.

S

serial connector — An I/O port which a connected device sends data one bit at a time, and ports are identified as COM (communications) ports.

U

USB — universal serial bus — A hardware interface for a low-speed device such as a USB-compatible keyboard, mouse, joystick, scanner, set of speakers, printer, broadband devices (DSL and cable modems), imaging devices, or storage devices. Devices are plugged directly in to a 4-pin socket on your computer or in to a multi-port hub that plugs in to your computer. USB devices can be connected and disconnected while the computer is turned on, and they can also be daisy-chained together.